




MORE BITE FOR YOUR MONEY

KVX WEAR PROTECTION

KVX



Uniquely bringing together
the best of all worlds:

-  Abrasion resistance
-  Impact resistance
-  Structural reinforcement

- ▶ Wear Bars
- ▶ Grouser Bars
- ▶ Heel Shrouds
- ▶ Half Arrow Profile
- ▶ White iron





Wear Bars

Still using 500HB bars for wear resistance but 300~400HB bars for impact liners?

No need anymore! Thanks to a unique heat treatment process and special steel properties, KVX is able to harden its steel to a high Brinell (HB) rating, while still enabling it to withstand high impact conditions *without cracking*.

KVX wear bars are used as protection on buckets, in dump truck bodies, and in a broad range of other applications where wear and impact protection is required. KVX Wear Bars are through hardened to 500 Brinell (HB).

Turn the page for more info and product range!

KVX Wear Bars are made in numerous dimensions:
Thickness from 10mm to 50mm and a large variety of widths.

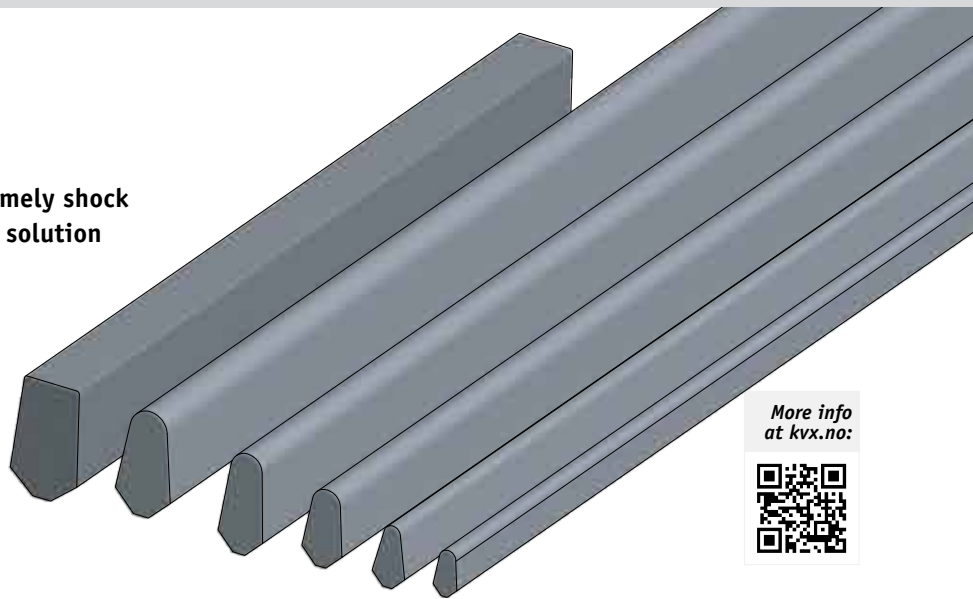
More info at kvx.no:



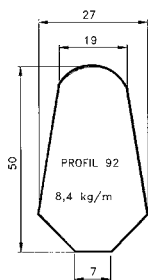
Grouser Bars

KVX Grouser Bars are 500 HB quality, extremely shock and wear resistant; providing the optimum solution for Crawler Tractors working on hard and abrasive rock surfaces.

Their special design will ensure easy, quick and economical welding and provide superior penetration capabilities; restoring traction and improving fuel economy. KVX Grouser Bars are available in the length of 3 meters and can be cut to requested size upon request.



More info at kvx.no:



Grouser bars	*)	Art.no.	Description	Dimension	Weight
	C	167670	Grouser Bar 96	3000 x 30 x 65	36,0
	C	167690	Grouser Bar 98	3000 x 37 x 68	47,1
	C	167691	Grouser Bar 92	3000 x 27 x 50	25,2
	C	167692	Grouser Bar 78	3000 x 22 x 40	15,6
	C	167693	Grouser Bar 46	3000 x 16 x 30	8,4
	C	167695	Grouser Bar 100	3000 x 45 x 75	66,0

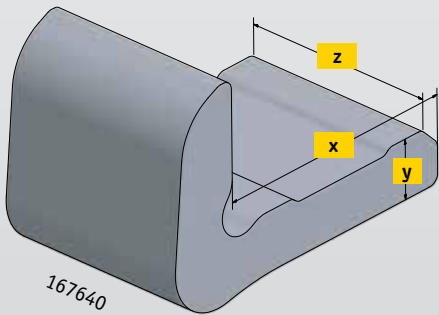
Note!

Grouser Bars are subject to bulk pricing. They are delivered in packages of 10 pieces. Smaller orders will come to a higher item price.

Heel Shrouds

KVX Heel shrouds are designed to protect high wear areas, such as the corner edges on excavator, loader, face shovel and LHD scoop tram buckets.

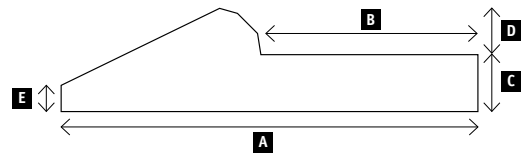
The Shrouds are made of original KVX Sagitta plate steel and through hardened to 500 Brinell. This provides a long wear life and superior wear protection when placed on the outside radius of the bucket. At 500HB, they are significantly harder than most cast welded alternatives.



Heel shrouds	*)	Art.no.	Description	Dimension (x, y, z)	Weight
A		167638	Heel Shroud 80mm	130 x 30 x 80	4,4
A		167639	Heel Shroud 90mm	130 x 30 x 90	4,9
A		167640	Heel Shroud 100mm	130 x 30 x 100	5,4
A		167642	Heel Shroud 120mm	130 x 30 x 120	6,5
C		330001	Heel Shroud 150mm (500064/65)	200 x 140 x 150	17,5

Note! Heel Shrouds are subject to bulk pricing. Special conditions are given on orders of 100 pieces and more.

Half Arrow Profile





Half Arrow profiles	*)	Art.no.	A, mm	B, mm	C, mm	D, mm	E, mm	Dimension	Weight	Equivalent to
A		160230	203	130	19	13	4	3660 x 203 x 32/19	112,5	8WE144 or 8J8141
A		177166	151	68	16	16	-	3000 x 151 x 32	61,0	134-1776 (8") or CE 51103
A		177198	255	131	40	29	23	3660 x 255 x 68,7	325,0	10WE144HD or 6Y2107
A		177199	255	131	28	29	11	3660 x 255 x 55/30	240,0	10WE144 or 8J8176

White iron

Laminite is designed to protect your equipment from high abrasion damage.

Laminite is a Combination of high chromium white iron metallurgically bonded to a mild steel backing plate. The white iron has a hardness that exceeds 600 Brinell providing incredible abrasion resistance protection to your equipment.

Chocky bars	*)	Art.no.	Description	Dimension	Weight
	C	160200	Chocky bar CB40	240 x 40 x 23	1,3
	C	160201	Chocky Bar CB65	240 x 65 x 23	2,4

Wear buttons	*)	Art.no.	Description	Dimension	Weight
	C	160210	Wear Button WB75	Ø75 x 30	0,9
	C	160211	Wear Button WB90	Ø90 x 30	1,2



How we make this possible

At KVX we harden our steel after processing it. With more than 130 years of experience we have achieved the optimal combination of hardness, abrasion resistance and toughness. It lasts longer than “equivalent” competitive products in all conditions!

KVX Wear protection is made from quality Sagitta® steel and are completely through-hardened to more than 500 HBW. But that’s not all....two unique factors contribute to the unusually high balance of both “hardness” and “toughness”:

- The steel is the basic secret. Sagitta® features a complex blend of alloying elements which enhance it’s structural properties after hardening.
- The hardening process itself is another. Over a century of experience, research and development has given KVX a leading position in hardening technology.

KVX Wear Protection is used on buckets, in crushers, in dump truck bodies, and in a broad range of other applications where wear and impact protection is required.

Relative Wear life %

